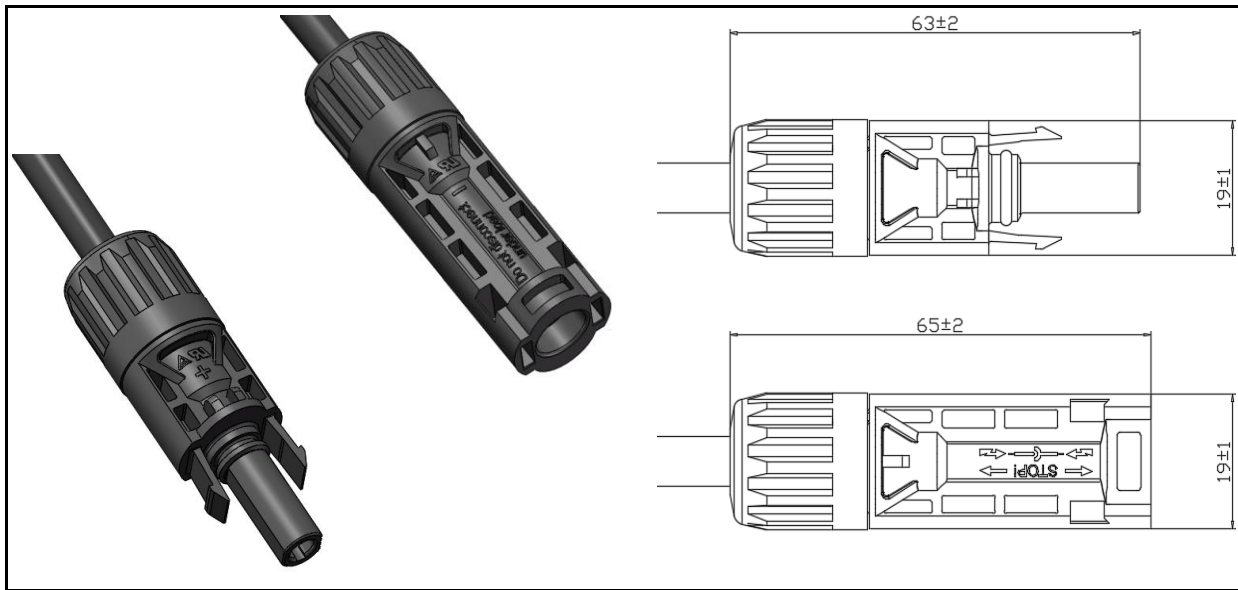


PV Connector C2



Technical Data

Electrical Properties		Environment Properties	
Rated Voltage	1500V (TÜV)	Protection Degree	IP68
Rated Current	30A(4mm ²)	Pollution Degree	1/2/3/4
Contact Resistance	≤0.3mΩ	Temperature Range	-40°C~+85°C
Insulation resistance	>3.0GΩ		
Dielectric Strength	8KV (TÜV)		
Mechanical Properties		Material Properties	
Dimension	As shown in the figure	Screw nut	PPE
Wire Size Range	4mm ² / 6mm ² (TÜV)	Housing	PPE
Cable diameter	6.1~6.6mm (Regular type cable seal)	Seal	Silicone
	5.5~6.3mm (Slim type cable seal)	Terminal	Copper

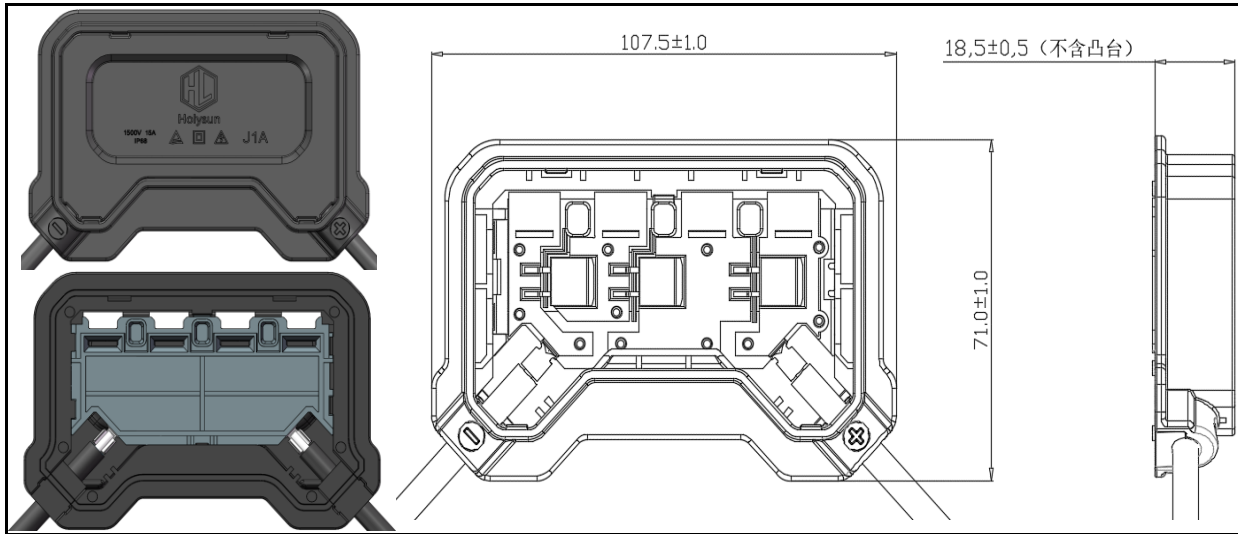
Certification

• TÜV Rheinland Certification No.	R 50400309
• UL Certification No.	N/A

Description

- Apply to PV field and Monocrystalline & polycrystalline silicon PV module
- High rated voltage with 1500V, and High current Carrying capability
- Cable connected by crimping and controlled by cross-section inspection, to ensure low contact resistance

PV Junction Box J1A



Technical Data

Electrical Properties		Environmental Properties	
Rated Voltage	1500V (TÜV)	Protection Degree	IP68
Max. Working Voltage	100V	Pollution Degree	Class I
Rated Current	15A	Flame Class	UL94-5VA
Contact Resistance	≤3mΩ	Temperature Range	-40°C~+90°C
Whole Resistance	12mΩ ± 2mΩ (2*1m cable)		
Applied PV power	180~400W		
Max. Reverse Current	25A		
Dielectric Strength	8KV (TÜV)		
Mechanical Properties		Material Properties	
Dimension	See Drawing	Lid	PPE
Wire Size Range	4mm ² (TÜV)	Housing	PPE
Ribbon Width	Max. 8mm	Base	PA
Rail	4	Terminal	Brass with Ni plated
Cable	OD range 5.5~6.6mm EN 50618 (H1Z2Z2-K)	Potting Material	Tonsan; Huitian
Connector	C1, MC4-EVO2, H4 UTX, etc.	Diode	Flat 3045
Waterproof Structure	Potting		

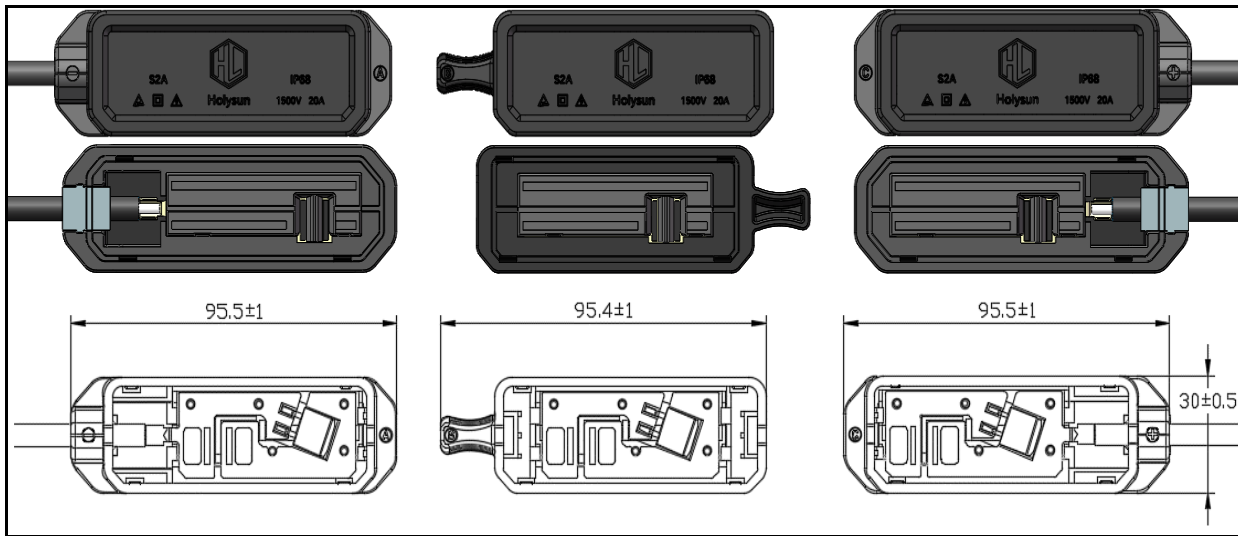
Certifications

• TÜV Rheinland Certification	NR 50400305
• UL Certification	N/A

Description

- Apply to monocrystalline & polycrystalline silicon PV mould
- 1500V high system voltage, compatible with 1000V PV modules, 15A high rated current
- Cable connected by crimping, low contact resistances, cross-section control

PV Junction Box S2A



Technical Data

Electrical Properties		Environmental Properties	
Rated Voltage	1500V (TÜV)	Protection Degree	IP68
Max. Working Voltage	100V	Pollution Degree	Class I
Rated Current	20A	Flame Class	UL94-5VA
Contact Resistance	≤3mΩ	Temperature Range	-40°C~+90°C
Whole Resistance	12mΩ ± 2mΩ (2*1m cable)		
Applied PV power	180~400W		
Max. Reverse Current	27A		
Dielectric Strength	8KV (TÜV)		
Mechanical Properties		Material Properties	
Dimension	See Drawing	Lid	PPE
Wire Size Range	4mm ² (TÜV)	Housing	PPE
Ribbon Width	Max. 8mm	Base	PA
Rail	6	Terminal	Brass with Ni plated
Cable	OD range 5.5~6.6mm EN 50618 (H1Z2Z2-K)	Potting Material	Tonsan; Huitian; Crevo
Connector	C1, MC4-EVO2, H4 UTX, etc.	Diode	Flat 3045
Waterproof Structure	Potting		

Certifications

• TÜV Rheinland Certification	NR 50400306
• UL Certification	N/A

Description

- Split type, apply to double glass PV modules, especially for N-type bifacial PV modules
- 1500V high system voltage, compatible with 1000V PV modules, 20A high forward current
- Cable connected by crimping, low contact resistances, cross-section control